



COUNTER EQUIPMENT STAINLESS STEEL STANDS

WOLF RANGE COMPANY

BASIC MODELS

- ▶ STAND/C
- ▶ STAND/C-VCCB
- ▶ TYG_SS-STAND5
- ▶ STAND/F
- ▶ STAND/F-VCCB



STAND/C-48

KEY FEATURES

- ▶ Stainless steel construction.
- ▶ Welded and smooth blended edges.
- ▶ 1/2" wide marine edges.
- ▶ STAND/C and TYG_SS-STAND5 models have 5" casters with 2 or 3 locking brakes.
- ▶ STAND/F models have adjustable height flange feet that allow for floor mounting.
- ▶ All models have an undershelf.
- ▶ Will accommodate any arrangement of Wolf counter top equipment.
- ▶ One year limited parts and labor warranty.



STAND/F-48

<p>Approved by _____</p> <p>Date: _____</p>

OPTIONAL FEATURES

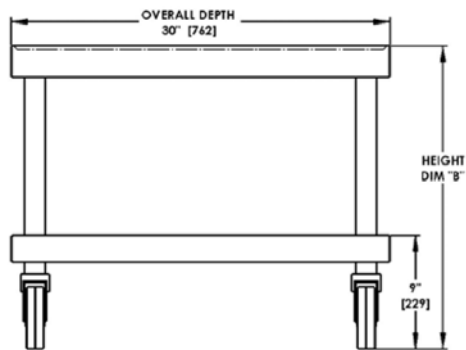
- ▶ Product variations available. See your sales representative for product variance requests.

MODEL: Counter Equipment Stands

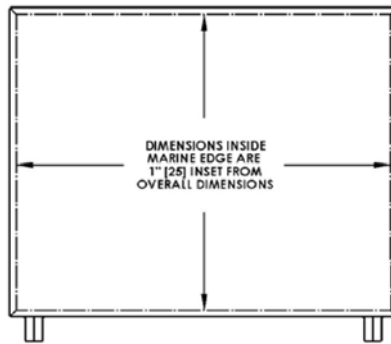
<p><i>WOLF RANGE COMPANY</i></p>	<p>Wolf Range Company Division of ITW Food Equipment Group LLC (800) 366-9653 www.wolfrange.com</p>
---	--



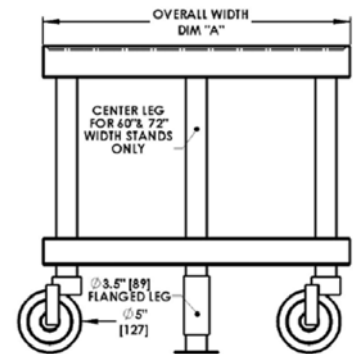
COUNTER EQUIPMENT STAINLESS STEEL STANDS



SIDE VIEW



TOP VIEW



FRONT VIEW

PRODUCT FAMILY	ACCESSORY CODE CASTERS	ACCESSORY CODE FLANGED LEGS	DIM "A"	DIM "B"	RESULTING COOKING HEIGHT
ASA	STAND/C-12	STAND/F-12	12"[305]	24"[610]	36"[914]
AGM	STAND/C-24	STAND/F-24	26"[660]		
AGE	STAND/C-36	STAND/F-36	37"[940]		
AGT	STAND/C-48	STAND/F-48	49"[1245]		
ACB	STAND/C-60	STAND/F-60	61"[1550]		
AHP	STAND/C-72	STAND/F-72	73"[1854]		
SCB	STAND/C-VCCB25	STAND/F-VCCB25	26"[660]	23"[584]	36"[914]
	STAND/C-VCCB36	STAND/F-VCCB36	37"[940]		
	STAND/C-VCCB47	STAND/F-VCCB47	49"[1245]		
	STAND/C-VCCB60	STAND/F-VCCB60	61"[1550]		
	STAND/C-VCCB72	STAND/F-VCCB72	73"[1854]		
TYG	TYG48SS-STAND5	N/A	49"[1245]	20"[508]	30"[762]
	TYG60SS-STAND5	N/A	61"[1550]		

NOTE: In line with its policy to continually improve its product, Wolf Range Company reserves the right to change materials and specifications without notice.

This appliance is manufactured for commercial use only and is not intended for home use.