



Project _____

AIA # _____ SIS # _____

Item # _____ Quantity _____ C.S.I. Section 114000

WC44ED SERIES

Full-Size Double Deck Electric Convection Ovens



Model WC44ED



SPECIFIER STATEMENT

Double section, electric convection oven, Wolf Model WC44ED. Stainless steel front, sides, and top. Simultaneous chain driven doors with double pane windows. Non-sag insulation applied to the top, rear, sides, bottom, and doors. Porcelain enamel on steel oven interiors measure 29"W x 26½"D x 20"H. Two interior oven lights per section. Five nickel plated oven racks per section measure 28¼" x 20½". Eleven position nickel plated rack guides with positive rack stops per section. Each section heated by electric solid sheath elements rated at 12 KW. Furnished with a two speed ½ H.P. oven blower-motor per section. Oven cool switch for rapid cool down. 208 or 240 volt, 60 Hz, 1 or 3 phase.

Exterior Dimensions:

40¼" W x 41¾" D (includes motor & door handles)

40¼" W x 37¾" D (includes motor only)

70" H on 8" legs

NSF listed. UL listed. UL listed to Canadian safety standards.

MODELS

- WC44ED** Solid state temperature controls adjust from 150° to 500°F. 60 minute timer with audible alarm.

Note: Double deck ovens are supplied as separate units with a stacking kit. Legs or casters need to be specified on order.

STANDARD FEATURES

- Full-size oven with stainless steel front, sides, and top
- 8" Stainless steel legs
- Simultaneous chain driven 50/50 doors with double pane windows per section
- Five nickel plated grab-and-go oven racks with eleven rack positions per section (10 total racks)
- Oven cool switch for rapid cool down
- Porcelain enamel on steel oven interiors
- 25 total KW
- ½ H.P. two speed oven blower-motor
- Moisture vent
- One year limited parts and labor warranty
- Interconnecting wiring kit available upon request

EXTRAS

- Second year extended limited parts and labor warranty

ACCESSORIES

- See next page

WC44ED SERIES – Full-Size Double Deck Electric Convection Ovens

Approved by _____ Date _____ Approved by _____ Date _____

ACCESSORIES (PACKAGED AND SOLD SEPARATELY) **FLNGD-FT/4**

Set of four flanged feet, seismic legs

 **CSTSET-8IN**

Set of four (2 locking) casters in lieu of standard legs

 **RACK-1PCNEW**

Extra oven rack

 **RACK-HANGRV**

Rack hanger

 **DRAFT-DIVERT**

Down draft flue diverter for direct vent connection

 **DRIPPAN-SSDD**

Stainless steel drip pan

Image N/A **ENCLSUR-SSBACK**

Stainless steel rear motor enclosure

Image N/A **HTSHLD-LH/V**

Heat shield for oven side (left)

Image N/A **HTSHLD-RH/V**

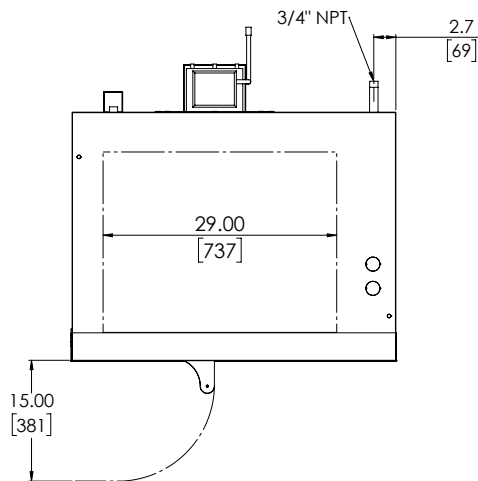
Heat shield for oven side (right)

OPTIONAL VOLTAGES

- 220/380 volt, 50 Hz, 1 phase, 3 wire
- 220/380 volt, 50 Hz, 3 phase, 4 wire
- 240/415 volt, 50 Hz, 3 phase, 4 wire

CLEARANCES

	Combustible	Non-Combustible
Rear	2"	2"
Right Side	4"	4"
Left Side	1"	1"



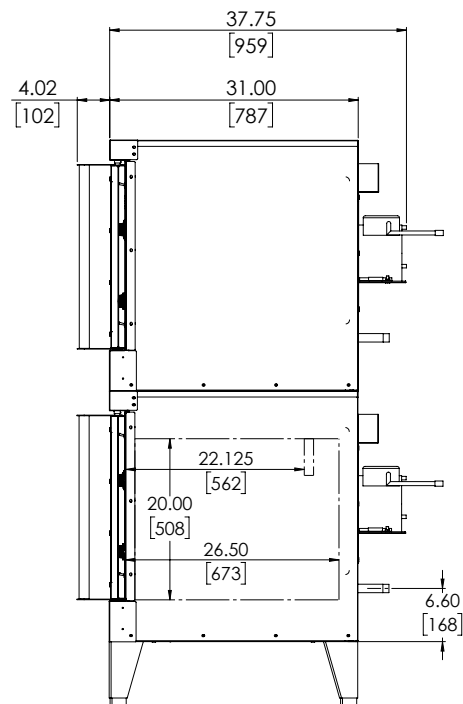
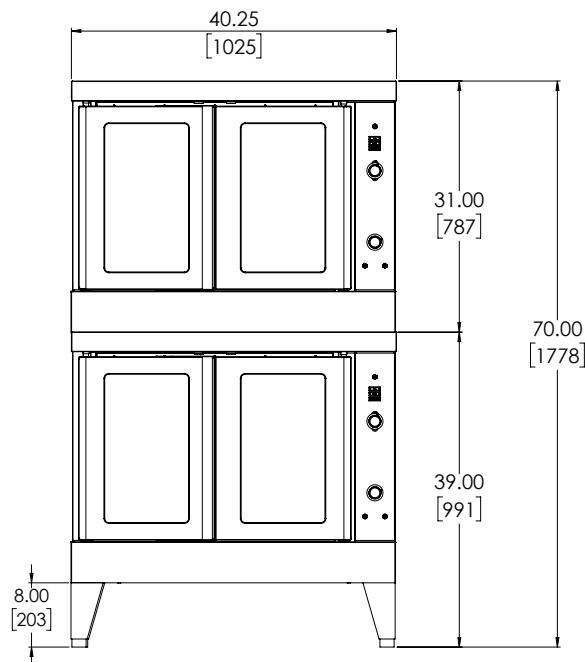
[CAD and/or Revit Files Available](#)

40¼" W x 41¾" D (includes motor & door handles)

40¼" W x 37¾" D (includes motor only)

70" H on 8" legs

Oven interior: 29" W x 26½" D x 20" H



Nominal Amps per Line Wire

Model	Total Conn.	3 Phase Load KW per Phase			1 Phase		208 Volt / 3 Phase			240 Volt / 3 Phase			Weight
		X-Y	Y-Z	X-Z	208V	240V	X	Y	Z	X	Y	Z	
WC44E	25 kW	8	8	9	120	104	70	66	70	66	58	66	778 lbs (352 KG) without skids/packaging 880 lbs (400 KG) with skids/packaging

As continued product improvement is a policy of Wolf, specifications are subject to change without notice.