



Project _____
 AIA # _____ SIS # _____
 Item # _____ Quantity _____ C.S.I. Section 114000

WC4ED SERIES

Full-Size Single Deck Electric Convection Ovens



Model WC4ED



SPECIFIER STATEMENT

Single section, electric convection oven, Wolf Model WC4ED. Stainless steel front, sides, and top. Simultaneous chain driven doors with double pane windows. Non-sag insulation applied to the top, rear, sides, bottom, and doors. Porcelain enamel on steel oven interior measures 29"W x 26½"D x 20"H. Two interior oven lights. Five nickel plated oven racks measure 28¾" x 20½". Eleven position nickel plated rack guides with positive rack stops. Heated by electric solid sheath elements rated at 12 KW. Furnished with a two speed ½ H.P. oven blower-motor. Oven cool switch for rapid cool down. 208 or 240 volt, 60 Hz, 1 or 3 phase.

Exterior Dimensions:

40¼" W x 41¾" D (includes motor & door handles)

40¼" W x 37¾" D (includes motor only)

31" H or 54¾" H on 23¾" legs with feet

Legs can adjust an additional 1" in length

Legs with casters are adjustable from 28" to 29⅞" in length

NSF listed. UL listed. UL listed to Canadian safety standards

MODEL

- WC4ED** Solid state temperature controls adjust from 150° to 500°F. 60 minute timer with audible alarm.

STANDARD FEATURES

- Full-size oven with stainless steel front, sides, and top
- Painted legs with bullet feet
- Simultaneous chain driven 50/50 doors with double pane windows
- Five nickel plated grab-and-go oven racks with eleven rack positions
- Oven cool switch for rapid cool down
- Porcelain enamel on steel oven interior
- 12.5 total KW
- ½ H.P. two speed oven blower-motor
- Moisture vent
- One year limited parts and labor warranty

EXTRAS

- Second year extended limited parts and labor warranty










ACCESSORIES

- See next page

WC4ED SERIES – Full-Size Single Deck Electric Convection Ovens

Approved by _____ Date _____ Approved by _____ Date _____

ACCESSORIES (PACKAGED AND SOLD SEPARATELY)

- | | | |
|---|---|--|
|  | <input type="checkbox"/> LEGSET-FT/SS | Stainless steel legs with bullet foot |
|  | <input type="checkbox"/> LEGSET-CST/SS | Stainless steel legs with casters |
|  | <input type="checkbox"/> LEGSET-CST/PT | Painted legs with casters |
|  | <input type="checkbox"/> OPNSTND-LEGS/SS | Stainless steel open stand with (4) stainless steel legs with adjustable feet, adjustable rack supports, and stainless steel shelf |
|  | <input type="checkbox"/> CTSET-SINGLE | Set of four (2 locking) casters for single deck oven or leg stand |
|  | <input type="checkbox"/> RACK-1PCNEW | Extra oven rack |
|  | <input type="checkbox"/> RACK-HANGRV | Rack hanger |
|  | <input type="checkbox"/> DRAFT-DIVERT | Down draft flue diverter for direct vent connection |
|  | <input type="checkbox"/> DRIPPAN-SSDD | Stainless steel drip pan |
| <i>Image N/A</i> | <input type="checkbox"/> ENCLSUR-SSBACK | Stainless steel rear motor enclosure |
| <i>Image N/A</i> | <input type="checkbox"/> MARINE-TOP | Oven/steamer accessory kit. Includes stainless steel marine edge top. Requires 8" legs in lieu of standard legs |
| <i>Image N/A</i> | <input type="checkbox"/> HTSHLD-LH/V | Heat shield for oven side (left) |
| <i>Image N/A</i> | <input type="checkbox"/> HTSHLD-RH/V | Heat shield for oven side (right) |

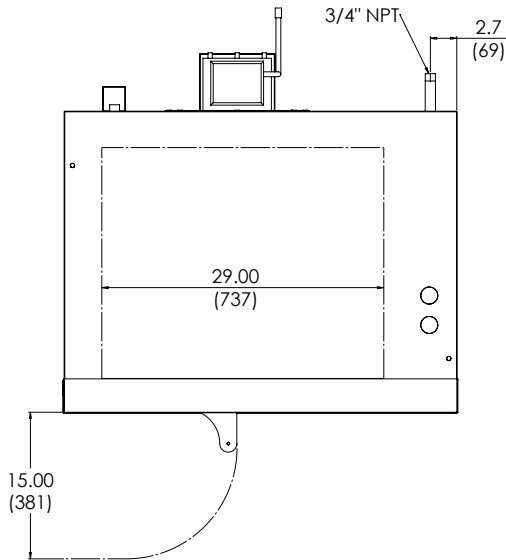
As continued product improvement is a policy of Wolf, specifications are subject to change without notice.

OPTIONAL VOLTAGES

- 220/380 volt, 50 Hz, 1 phase, 3 wire
- 220/380 volt, 50 Hz, 3 phase, 4 wire
- 240/415 volt, 50 Hz, 3 phase, 4 wire

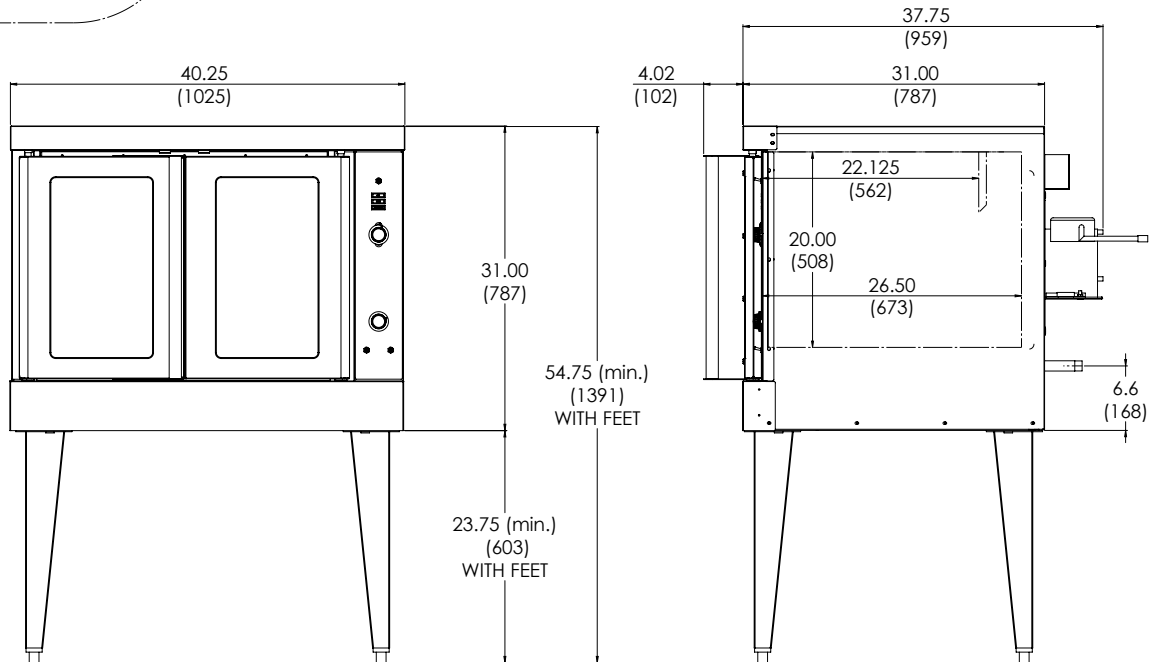
CLEARANCES

	Combustible	Non-Combustible
Rear	2"	2"
Right Side	4"	4"
Left Side	1"	1"



40¼" W x 41¾" D x 31" H (includes motor & door handles)
 40¼" W x 37¾" D x 31" H (includes motor only)
 54¾" H on 23¾" legs* with feet.
 *Legs can adjust an additional 1" in length.

Oven interior: 29" W x 26½" D x 20" H



Nominal Amps per Line Wire

Model	Total Conn.	3 Phase Load KW per Phase			1 Phase		208 Volt / 3 Phase			240 Volt / 3 Phase			Weight
		X-Y	Y-Z	X-Z	208V	240V	X	Y	Z	X	Y	Z	
WC4ED	12.5 kW	4	4	4.5	60	52	35	33	35	33	29	33	389 lbs (176 KG) without skids/packaging 440 lbs (200 KG) with skids/packaging

As continued product improvement is a policy of Wolf, specifications are subject to change without notice.